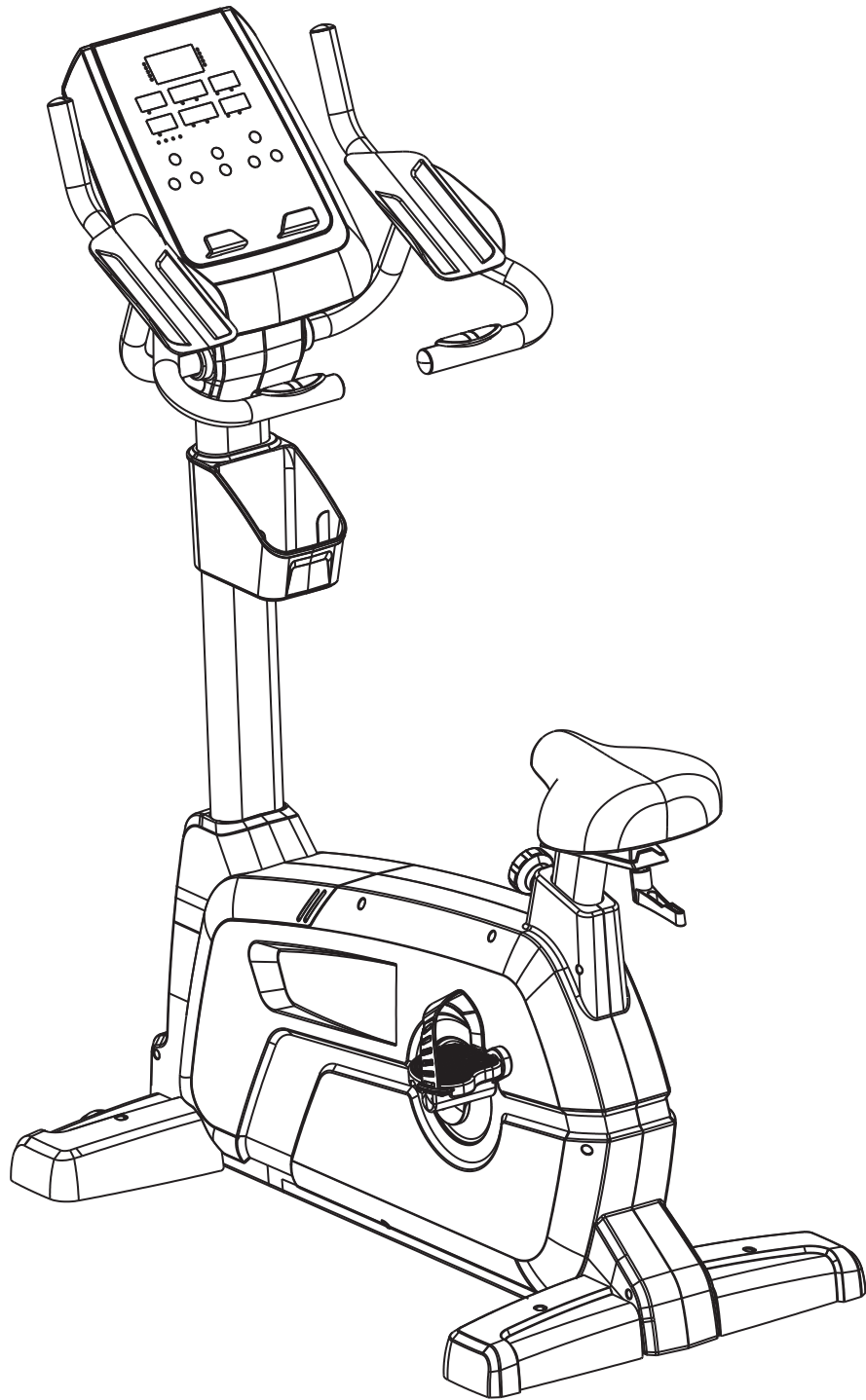
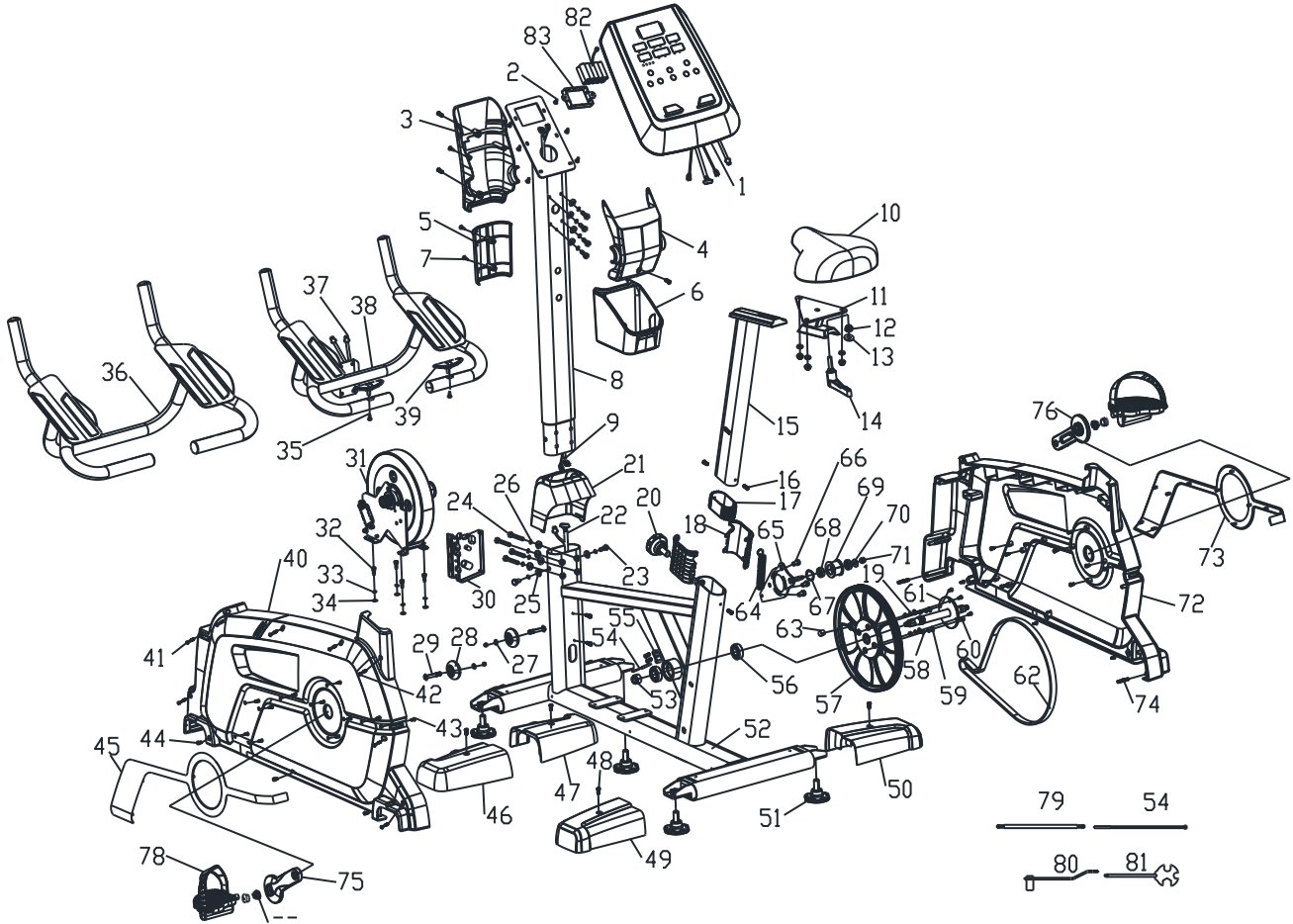


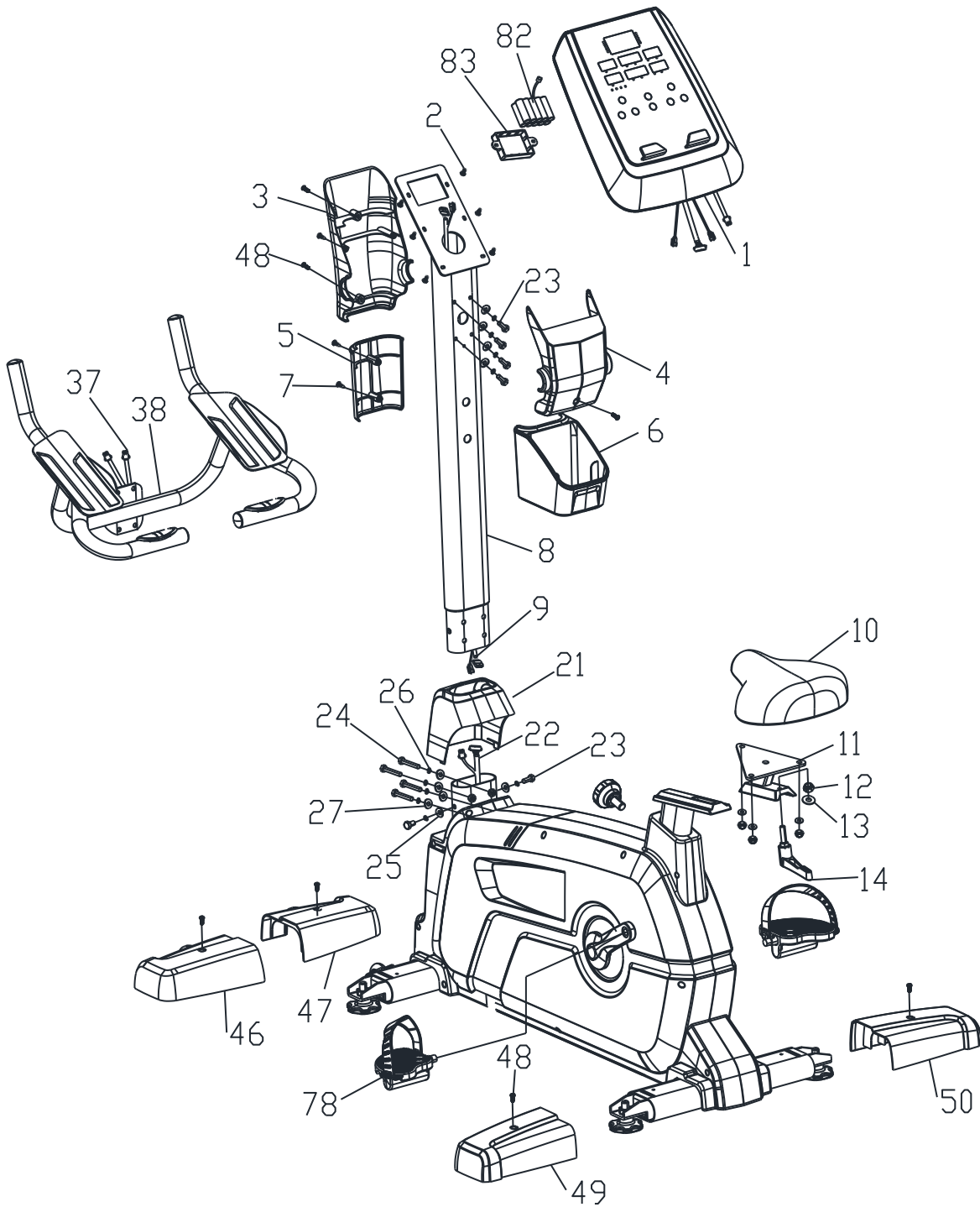
# COMMERCIAL UPRIGHT BIKE



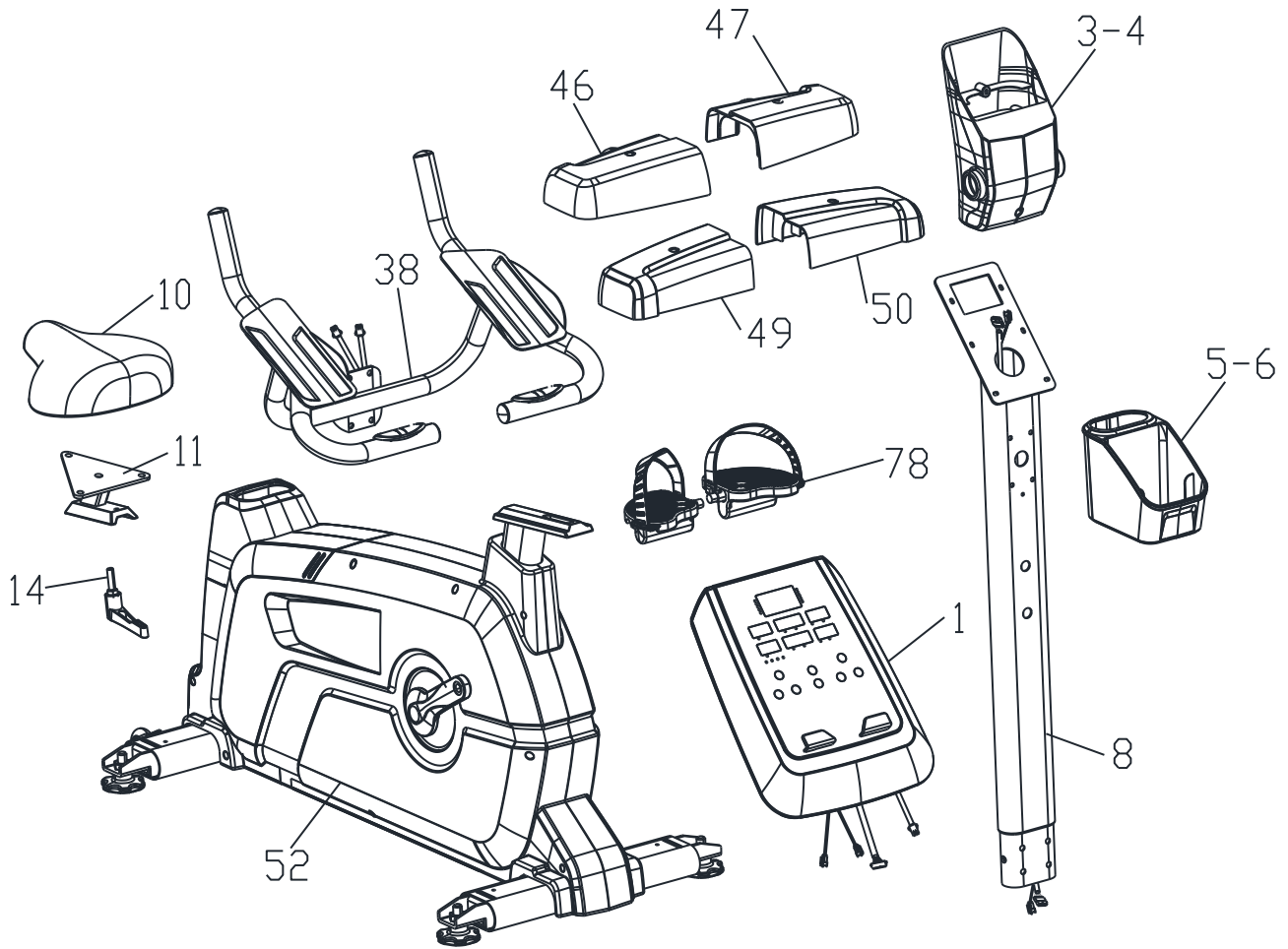
# BOM LIST



# BOM LIST

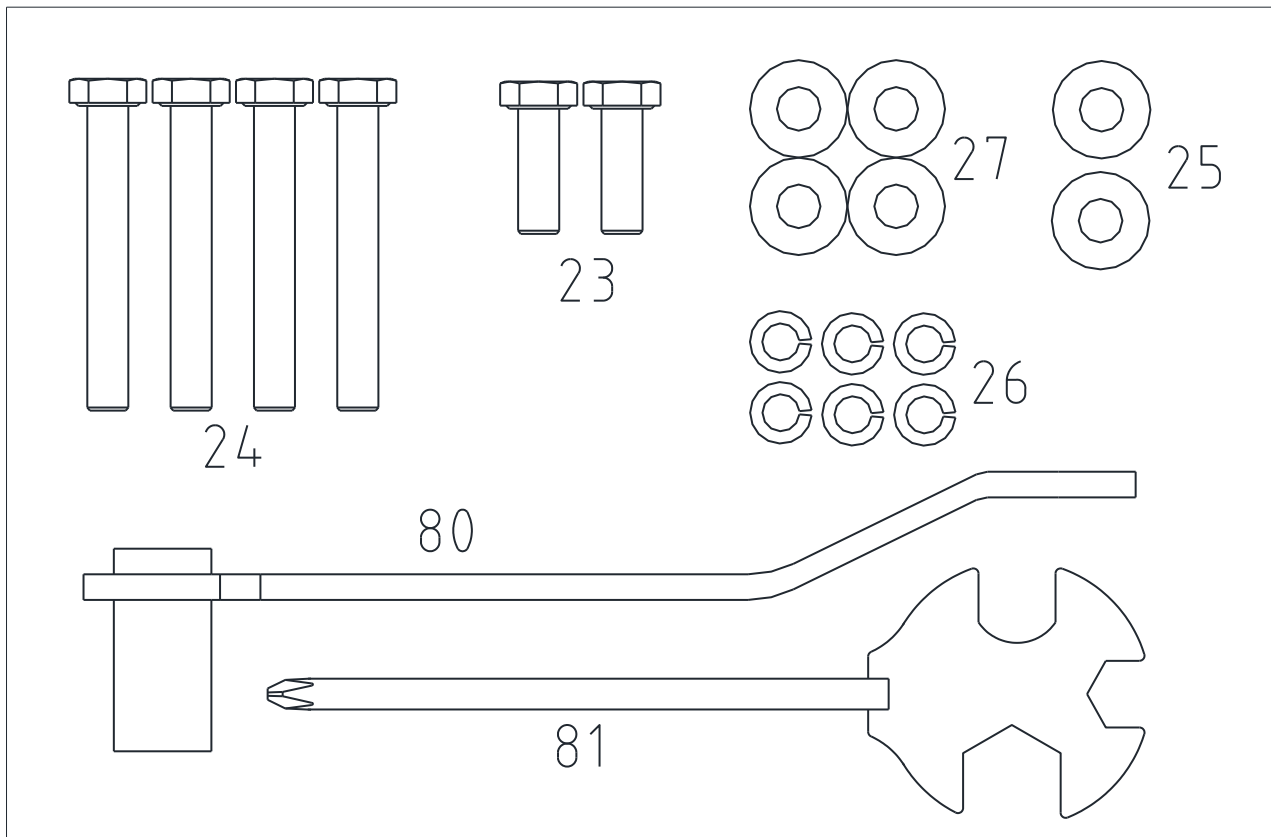


# ST AND TOOLS



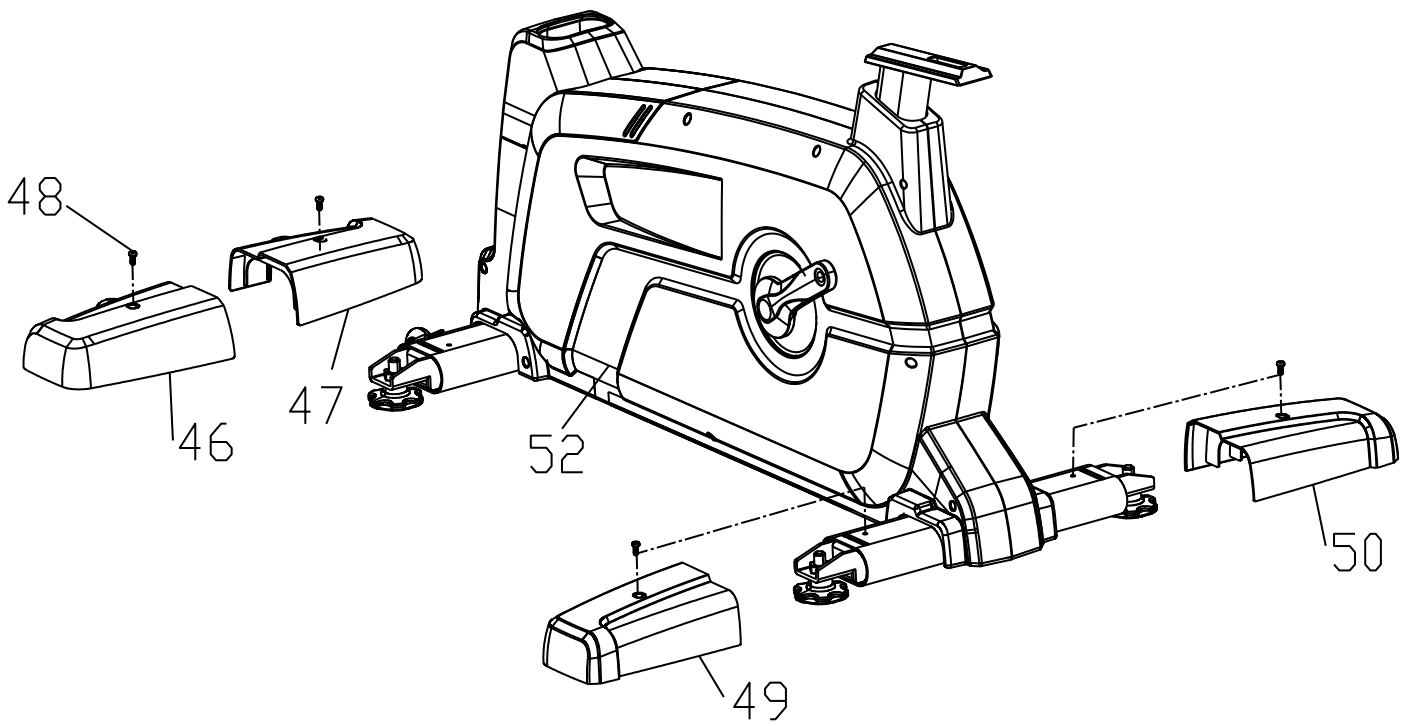
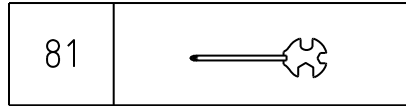
No.	Description	Q' ty	No.	Description	Q' ty
1	Console	1	14	L-handle	1
3-4	Handlebars Mount Cover	1	38	Handlebars	1
5-6	Water Bottle Holder	1	46-47	Front Stabilizer Mount Cover	1
8	Console Mast	1	49-50	Rear Stabilizer Mount Cover	1
10	Seat	1	52	Main Frame	1
11	Seat Bracket	1			1

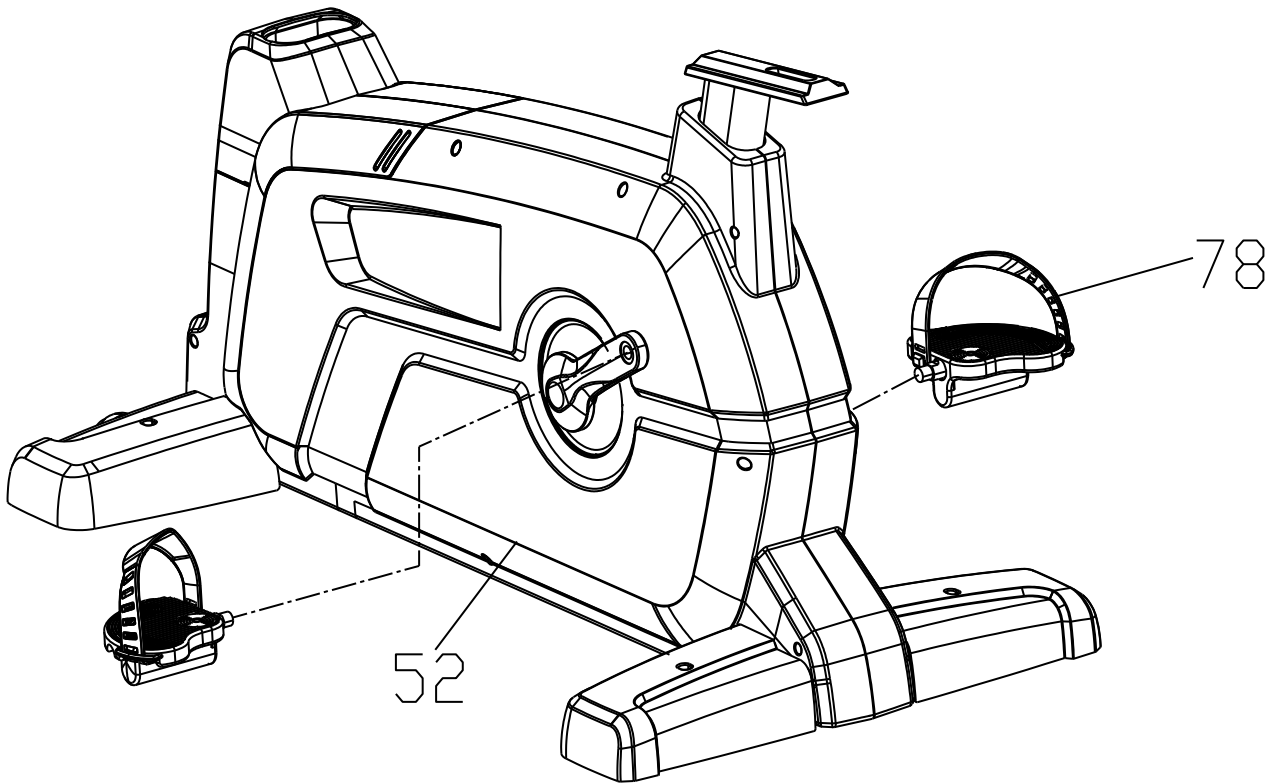
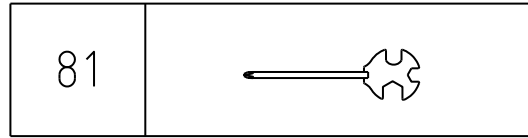
# ST AND TOOLS




No.	Description	Q' ty
23	Screw M8*25	2
24	Screw M8*60	4
25	Washer $\Phi 8 \times \Phi 19 \times 2T$	2
26	Lock Washer $\Phi 8 \times \Phi 13.5 \times 2.5T$	6
27	Washer $\Phi 8 \times \Phi 9 \times 2T$	1
80	Tools	1
81	Tools	1

# ASSEMBLY INSTRUCTION





80	
81	